



R&S®SCOPE RIDER RTH

Lab performance in a rugged, portable design



The perfect choice for

Electrical and electromechanical installation and maintenance

Debugging and testing advanced power electronics

Electronic field service and maintenance

Education

Key specifications	
Bandwidth	60 MHz, 100 MHz, 200 MHz, 350 MHz, 500 MHz
Channels	2/4
Max. sample rate	5 Gsample/s
Max. memory	500 ksample, 50 Msample segmented memory (optional)
Acquisition rate	50 000 waveforms/s
ADC resolution	10 bit
Isolated channels	CAT IV 600 V/CAT III 1000 V
IP rating	IP51, in line with IEC 60529
Display	7.0" color touchscreen, 800 × 480 pixel
Mixed signal option	8 channels, 250 MHz, 1.25 Gsample/s, 125 ksample

The perfect multipurpose tool for the lab and in the field

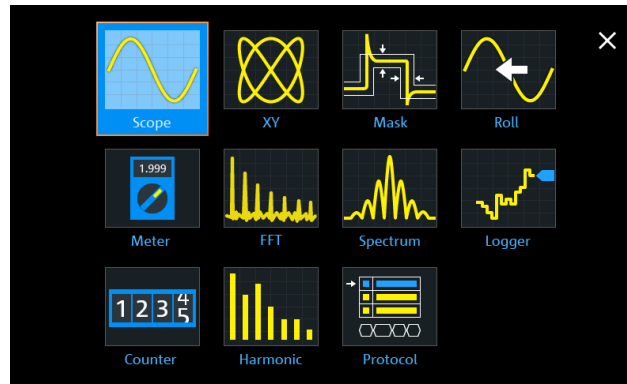
When debugging embedded devices in the lab or analyzing complex problems in the field, the R&S®Scope Rider RTH offers the performance and capabilities of a lab oscilloscope with the form factor and ruggedness of a battery-operated handheld device.

Your benefit	Features
Superior performance	<ul style="list-style-type: none"> ▶ Deep memory (up to 50 Msample) and high resolution (5 Gsample/s) ▶ Fast acquisition rate: 50 000 waveforms/s ▶ 10-bit A/C converter ▶ Excellent sensitivity: 2 mV/div to 100 V/div ▶ Up to 200 V offset range ▶ 37 automatic measurement functions
Outstanding protection and excellent connectivity	<ul style="list-style-type: none"> ▶ Isolated channels: CAT IV 600 V/CAT III 1000 V ▶ IP51 housing that meets military requirements ▶ Wireless LAN and Ethernet for web based remote control and quick data access
8 instruments in one handheld package	<ul style="list-style-type: none"> ▶ Lab performance oscilloscope ▶ Logic analyzer ▶ Protocol analyzer ▶ Data logger ▶ Digital multimeter¹⁾ ▶ Spectrum analyzer ▶ Harmonics analyzer ▶ Frequency counter

¹⁾ Additional multimeter channel in two-channel model.

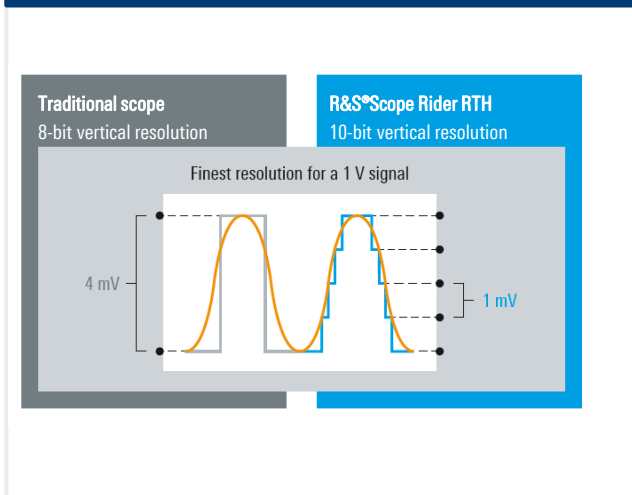


The high-speed acquisition system of the R&S®Scope Rider RTH captures up to 50 000 waveforms/s and uncovers rare and unexpected signal anomalies.

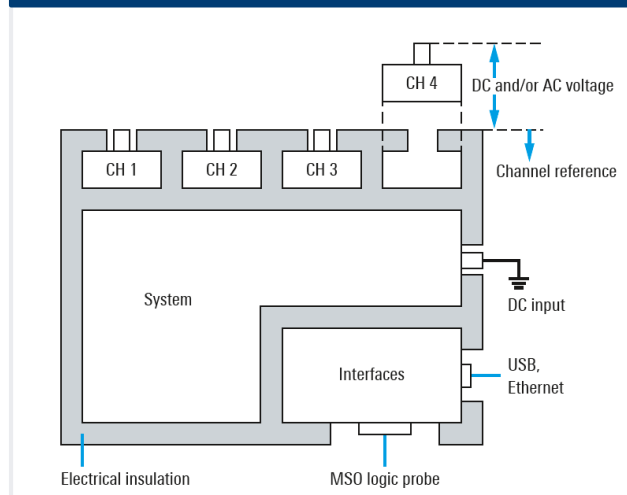


8 instruments in one – select the instrument you need at the push of a button.

10-bit A/D converter: uncovers even small signal details



Double insulation for maximum safety



Popular options/accessories	
Hardware options	Item
SSD hard disk	R&S®RTE-B18
Mixed signal option, 250 MHz, 8 digital channels	R&S®RTH-B1
Software options	
I ² C/SPI serial decoding	R&S®RTH-K1
UART/RS-232/RS-422/RS-485 serial decoding	R&S®RTH-K2
CAN/LIN serial triggering and decoding	R&S®RTH-K3
History/segmented memory	R&S®RTH-K15
Spectrum analysis	R&S®RTH-K18
Advanced triggering	R&S®RTH-K19
Frequency counter	R&S®RTH-K33
Harmonics analysis	R&S®RTH-K34
User scripting	R&S®RTH-K38
Wireless LAN	R&S®RTH-K200/ R&S®RTH-K200US
Web interface remote control	R&S®RTH-K201
Passive probes	
500 MHz, 10:1, isolated, 600V CATIV, 1000V CAT III	R&S®RT-ZI10
500MHz, 100:1, isolated, 600V CAT IV, 1000V CAT III	R&S®RT-ZI11
Current probes	
100 kHz, 30A, AC/DC	R&S®RT-ZC03
Accessories	
Soft carrying bag	R&S®HA-Z220
Spare battery	R&S®HA-Z306

Languages supported: English, German, French, Spanish, Russian, simplified and traditional Chinese, Korean and Japanese.



deg-Messtechnik GmbH
 Brüdergasse 1-3, Top B14
 A-3430 Tulln
 fon +43 2272 20522-0
 fax +43 2272 20522-17

Internet <http://www.deg-messtechnik.at>